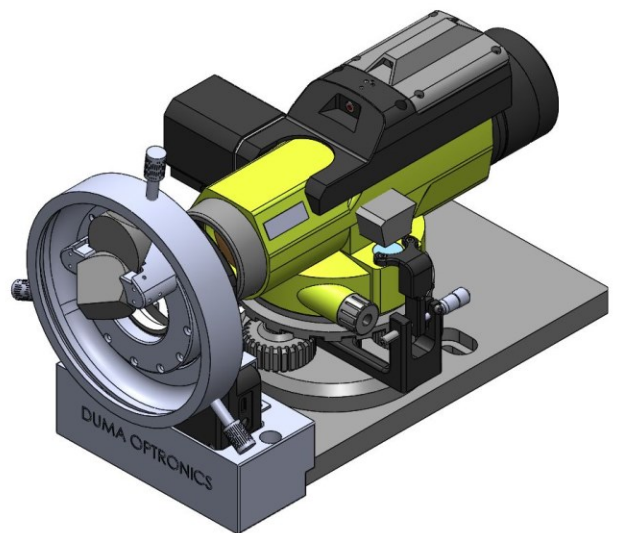


# Total Station Autocollimator – Aperture Extender

The Total Station Autocollimator Aperture Extender is offered as an accessory expanding the Autocollimator Aperture from 36 mm to more than 100 mm. The technology is based on very accurate retro-reflectors mounted on a rotating stage and projecting the cross or accepting laser beams from an aperture exceeding 100 mm. It is offered in 2 accuracies:

- 1) Maximum deviation between central aperture to the periphery (100 mm) – 5 seconds of arc
- 2) Maximum deviation between central aperture to the periphery (100 mm) – 10 seconds of arc



**AP-EXTENDER (5):** Aperture Extender for Total Station, 5 seconds of arc

**AP-EXTENDER (10):** Aperture Extender for Total Station, 10 seconds of arc

**DUMA OPTRONICS LTD.**

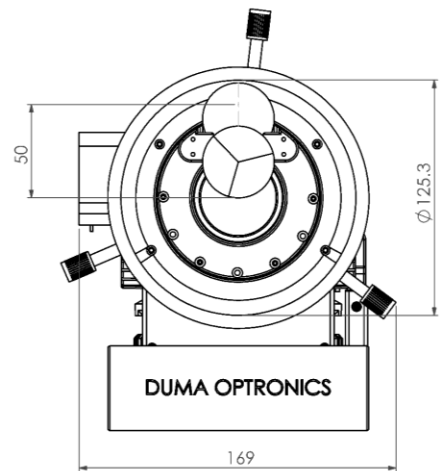
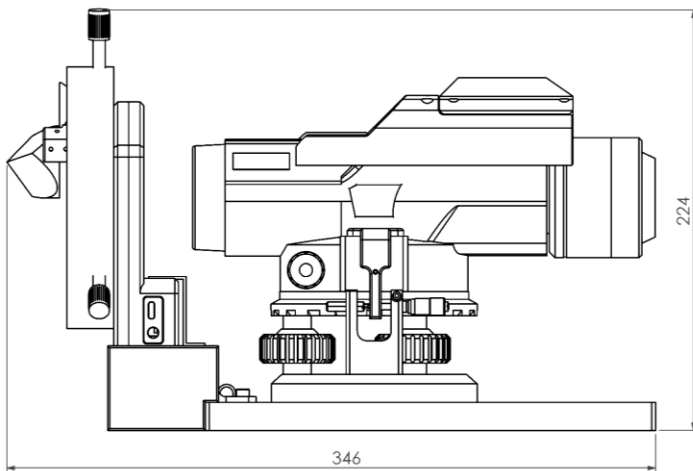
Website: <http://www.dumaoptronics.com>

E-mail: [sales@duma.co.il](mailto:sales@duma.co.il)

March 2026



# Total Station Autocollimator – Aperture Extender



**AP-EXTENDER (5):** Aperture Extender for Total Station, 5 seconds of arc

**AP-EXTENDER (10):** Aperture Extender for Total Station, 10 seconds of arc

## DUMA OPTRONICS LTD.

Website: <http://www.dumaoptronics.com>

E-mail: [sales@duma.co.il](mailto:sales@duma.co.il)

March 2026

