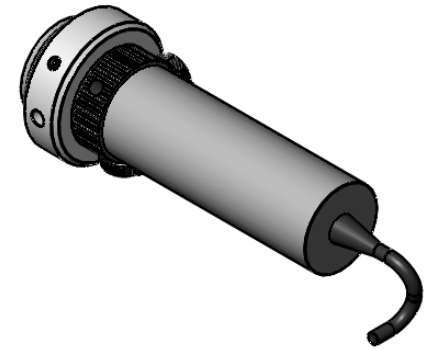
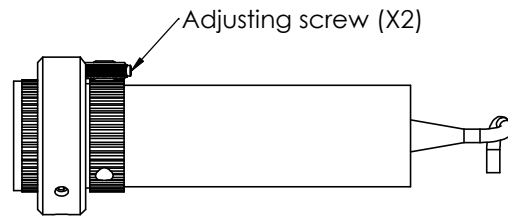
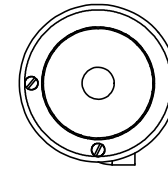
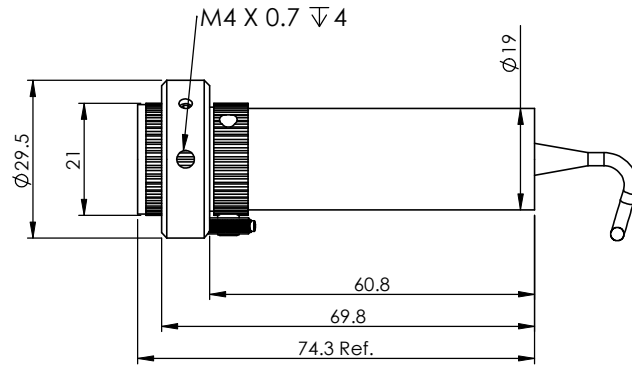


Information only, not for manufacture



Option A:
Battery operated (included), cable with thumb switch (360 mm long).

Option B:
Cable to external power supply.

Tolerances:
Unless otherwise
specified:

Linear: ± 0.1
Angular: ± 0.1

Do not scale drawing

DIMENSIONS IN MILLIMETERS (mm) scale 1:1



TITLE:
LazerOn

DWG NO. LAZO_C_01

	NAME	SIGNATURE	DATE
DRAWN	Yair		21.6.2012
CHKD	Oren		21.6.2012
APPVD	Judith		21.6.2012