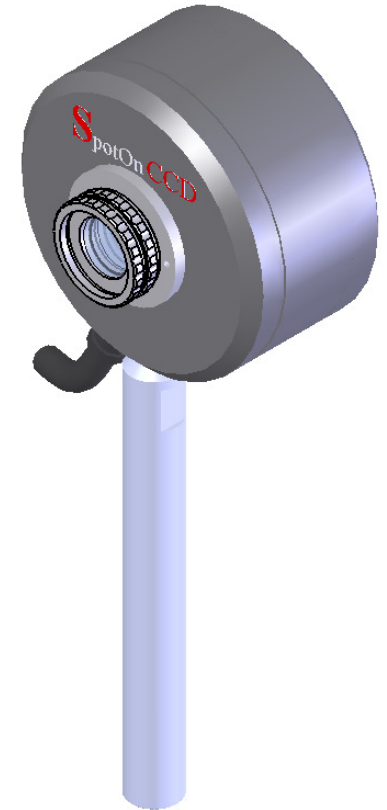
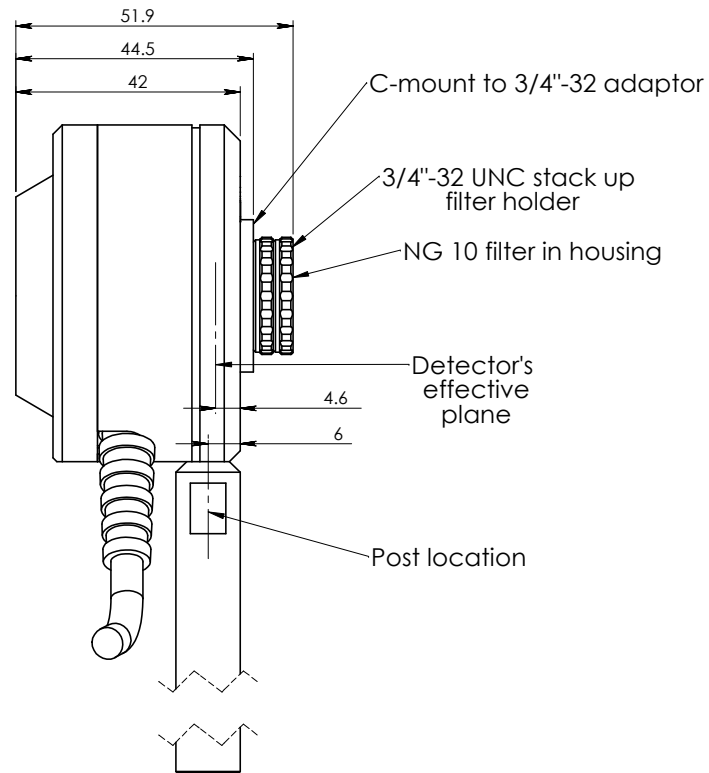
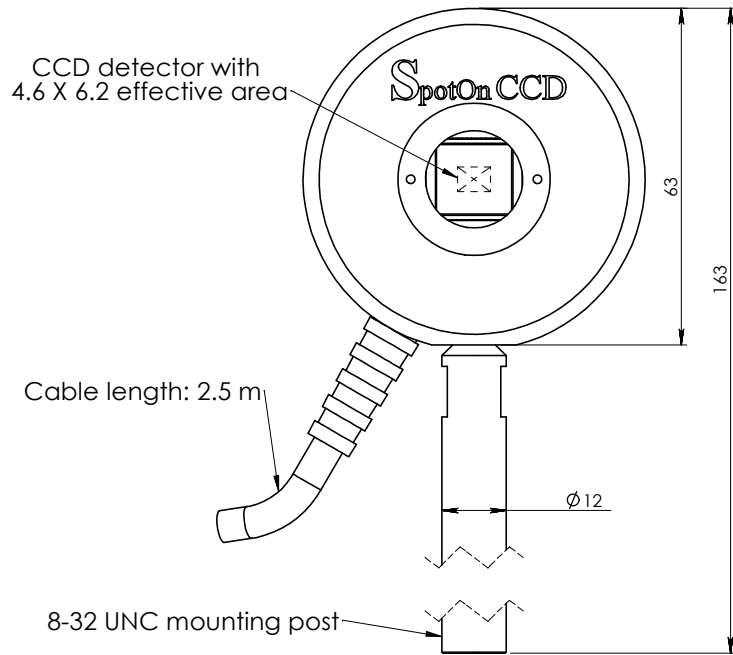



Information only, not for manufacturing



| | | | | |
|-------|--------|--|-----------|-----------|
| | | DIMENSIONS IN MILLIMETERS (mm) | | scale 1:1 |
| | |  DUMA Optronics LTD. | | |
| | | TITLE: SPOTON CCD | | |
| | | Do not scale drawing | | |
| | | DWG NO. SpotOn_C_01 | | |
| | | REVISION: | | |
| | NAME | SIGNATURE | DATE | |
| DRAWN | Yair | | 28.2.2012 | |
| CHKD | Oren | | 28.2.2012 | |
| APPVD | Judith | | 28.2.2012 | |