

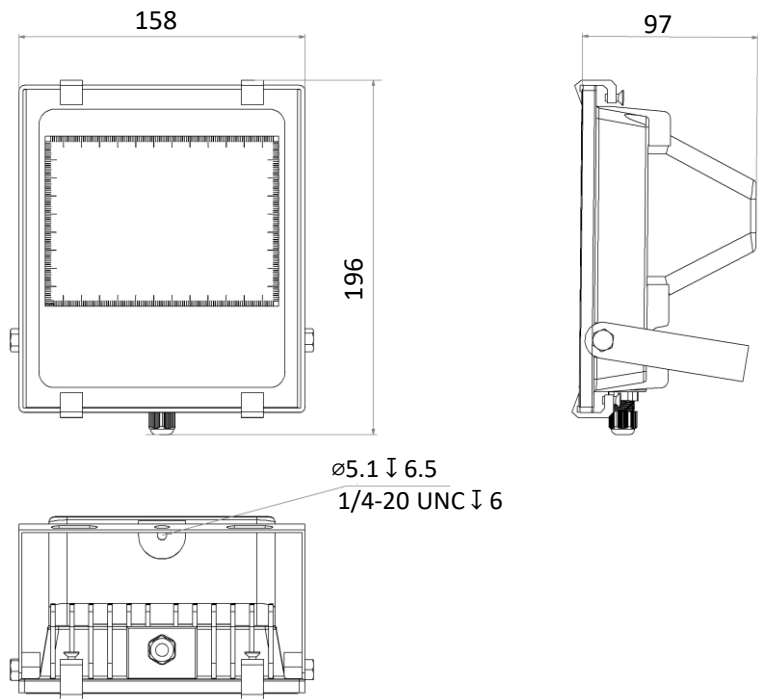
# SpotOn LA

## Large Aperture Beam Positioning System

- Features a large aperture
- Built-in rugged water resistant housing
- The system measures optical beam positioning featuring a large optical aperture, with update rate of up to 30 Hz
- Versatile - Measures both CW and pulsed beams, up to 3 beams simultaneously.

### Specifications

<b>Detection Size</b>	X = 100 [mm] , Y = 80 [mm]
<b>Dimensions</b>	186 (L) x 141 (H) x 240 (W)
<b>Mechanics</b>	Rugged water resistant Aluminum housing
<b>Mounting</b>	Tripod mount UNC 1/4 - 20
<b>Weight</b>	1.3 [kg]
<b>Frame Rate</b>	30 [Hz]
<b>Spectral Response</b>	400 – 800 [nm]
<b>Position Resolution</b>	Better than 100 $\mu$ m
<b>Position Accuracy</b>	Less than 1% Edge-to-edge
<b>Interface</b>	High Speed USB2.0
<b>Input power level</b>	About 2.5 mW at 650nm (consult factory about attenuation)



### Ordering Information

**SPOTON-LA:** A complete system comprises of a P&P camera with USB2.0 interface and attached cable, software on CD.

**DUMA OPTRONICS LTD.**

Website: <http://www.dumaoptronics.com>

E-mail: [sales@duma.co.il](mailto:sales@duma.co.il)

July 2023

