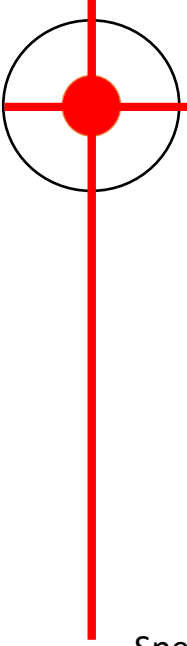


NEW

# Beam Analyzer Pro



- Industry's leading knife-edge system
- Unique tomographic image reconstruction
- Beam measurements down to 3 microns and up to 9 mm
- Accurately measures profile, position and power
- Multiple detectors versions are available, covering wavelengths from deep UV to 2.7 microns

## Specifications

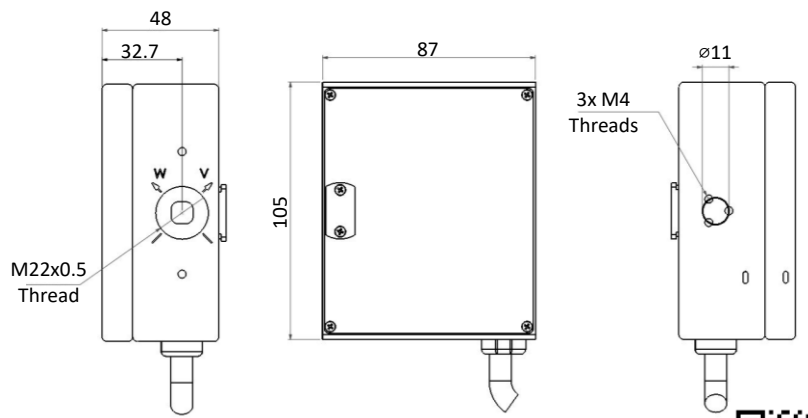
|                                |   |
|--------------------------------|---|
| <b>Laser Type</b>              | CW  |
| <b>Beam width Resolution</b>   | For beams > 100 μm in size: 1 μm.<br>For beams <100 μm in size: 0.1 μm  |
| <b>Beam Size</b>               | 3μm-5mm for BA3-Si and BA3-UV<br>15μm-10mm for BA7-Si and BA7-UV<br>15μm-9mm for BA7-Si and BA7-UV (Round)<br>3μm-3mm for BA3-IR3 and BA3-IR3-E<br>15μm-3mm for BA7-IR3 and BA7-IR3-E<br>3μm-5mm for BA3-IR5<br>15μm-5mm for BA7-IR5<br>15μm-9mm for BA7-IR10 |
| <b>Spectral Response</b>       | Si 350-1100nm UV-Si 190-1100nm IR 800-1800nm IR Enhanced (E) 1200-2700nm  |
| <b>Sensor Active Area (mm)</b> | ∅3-∅10 depending on version   |
| <b>Number of Blades</b>        | 3 for BA3 heads, 7 for BA7 heads  |
| <b>Gain Control</b>            | Automatic   |
| <b>Frame Rate</b>              | 5 fps   |
| <b>Power Range</b>             | 10 μW to 5 mW (no filters, 633 nm)  |
| <b>Sensor type</b>             | Silicon (Si), UV-Silicon (UV-Si) InGaAs (IR) or IR Enhanced (IRE)   |
| <b>Beam width accuracy</b>     | ±2%   |

|                                     |  |
|-------------------------------------|--|
| <b>Power accuracy</b>               | ±5%  |
| <b>Position resolution</b>          | 1 μm   |
| <b>Pixel Bit Depth</b>              | 12 bits  |
| <b>Background Subtraction</b>       | Automatic  |
| <b>Accessories</b>                  | <b>SAM3-B Beam Sampler:</b> with mounting adapter. Sampling reduction factor 0.0016 average<br><b>BA-Fiber:</b> A fiber adapter with an FC connector |
| <b>Power Requirements</b>           | ~2.5 Watt (Via USB interface)  |
| <b>Dimensions (L x W x H) in mm</b> | 105 x 87 x 48  |
| <b>Weight (typical)</b>             | 550 gr   |
| <b>Min. Hardware Requirements</b>   | CPU i3 1.6 GHz, 4 GB RAM   |
| <b>Interface</b>                    | Windows 8/10/11 (32 & 64 bit)<br>P&P (ID & Calibration File)<br>USB 2.0 / USB 3.0  |
| <b>Cable USB</b>                    | 2 meters   |
| <b>Operating Temperature</b>        | 10° – 35° C  |

## Ordering Information

NG4 and NG9 filters in housing are provided for the Si and UV-Si heads only.

- BA3-Si-Pro:** 3-blades, Si detector 5mm circular
- BA7-Si-Pro:** 7-blades, Si detector 9mm square
- BA3-UV-Pro:** 3-blades, UV-Si detector 5mm circular
- BA7-UV-Pro:** 7-blades, UV-Si detector 9mm square
- BA3-IR3-Pro:** 3-blades, InGaAs detector 3mm circular
- BA3-IR3E-Pro:** 3-blades, InGaAs Enhanced 3mm circular
- BA7-IR3-Pro:** 7-blades, InGaAs detector 3mm circular
- BA7-IR3E-Pro:** 7-blades, InGaAs Enhanced 3mm circular
- BA3-IR5-Pro:** 3-blades, InGaAs detector 5mm circular
- BA7-IR5-Pro:** 7-blades, InGaAs detector 5mm circular
- BA7-IR10-Pro:** 7-blades, InGaAs detector 10mm circular



# DUMA OPTRONICS LTD.



Website: <http://www.dumaoptronics.com>

E-mail: [sales@duma.co.il](mailto:sales@duma.co.il)

July 2024